

figure 1

АППАРАТ ТЕРМОУСАДОЧНЫЙ HURAKAN HKN-WTP5540

Поз	Наименование детали	Кол
1	Truckle	4
2	Foot stand	2
3	Working table holder roller	2
4	Spout holder I	1
5	Spout holder II	1
6	Limit switch	1
7	Cutting element Protection line	1
8	Shrink chamber	1
9	Wiring piece of heater	2
10	Adjust seat for twist spring sticker to open cover	1
11	Heater position seat	2
12	Heater	4
13	Heater base plate	1
14	Vertical elements holder	1
15	Front pressure strip	1
16	Horizontal elements holder	1
17	Silicon strip(horizontal)	1
18	insulation board	1
19	Ventilation door position holder	1 pair
20	insulation board	1
21	Ventilation door mesh cover	1
22	Ventilation door board	1
23	pothook	2
24	Pad mesh cover	1
25	Fan cover adjustor	2
26	Front pressure strip	1
27	Silicon strip(vertical)	1
28	mesh cover adjusted screw	2
29	Front pressure strip	1
30	Vertical elements holder	1
31	Horizontal elements holder	1
32	Elements position adjusted block	1
33	Fan blade	1
34	Elements protector(horizontal)	1
35	Positioning block bottom	1
36	Motor	1
37	Shrink chamber	1
38	electromagnet coil holder	2
39	Electromagnet seat	2
40	Working table	1

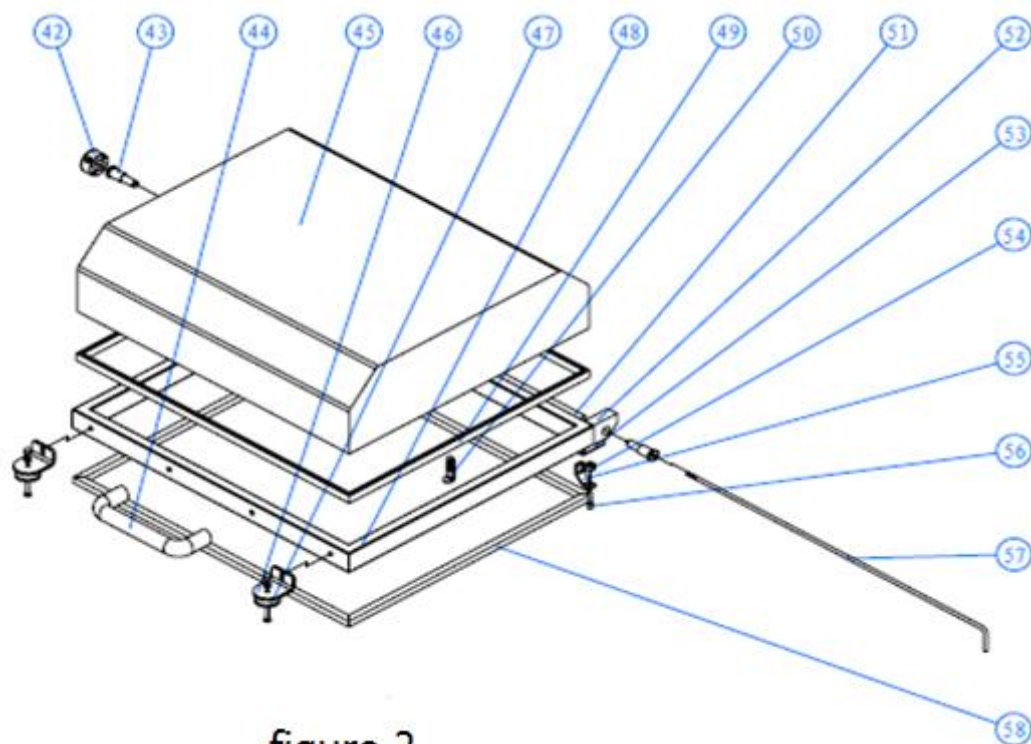


figure 2

АППАРАТ ТЕРМОУСАДОЧНЫЙ HURAKAN HKN-WTP5540

Поз	Наименование детали	Кол
42	Twist spring located block	1
43	Frame spindle	2
44	Handle	1
45	Cover	1
46	Electromagnet holder	2
47	Electromagnet	2
48	Cutting frame	1
49	Cover fixer	1
50	Air door position lock	1
51	Twist spring casing pipe	1
52	Right sticker	1
53	Frame spindle seat	2
54	locknut	1
55	Switch adjusted seat	1
56	Switch adjusting screw	1
57	Spring torsion wire	1
58	Silicone fixed frame	1

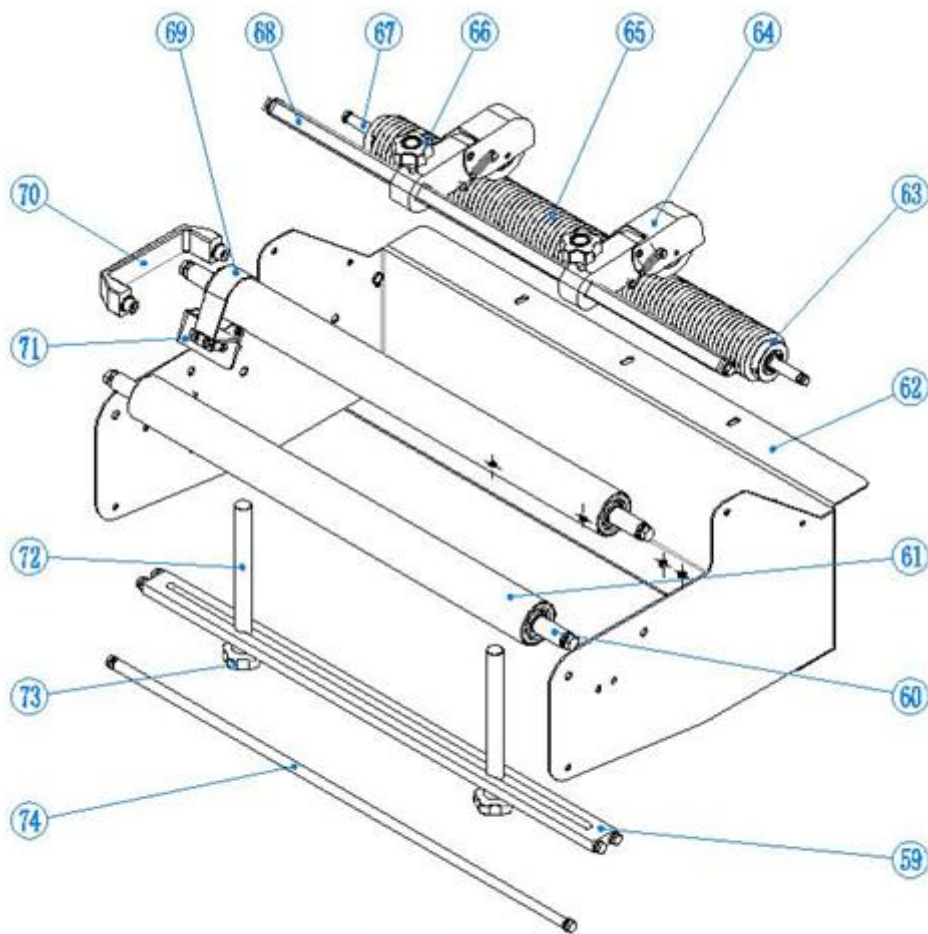


figure 3

АППАРАТ ТЕРМОУСАДОЧНЫЙ HURAKAN HKN-WTP5540

Поз	Наименование детали	Кол
59	Guide pole seat of film roll	1
60	Roller shaft for film roll	2
61	Roller for film	2
62	Deep groove ball bearing	4
63	Film roller holder	1
64	Brush fixer set	2
65	Needle wheel set	2
66	Brush roller	1
67	Handle M8*20	2
68	Brush roller shaft	1
69	Deep groove ball bearing	2
70	Guide square tube	1
71	Brake assembly	1
72	Position pole for film	2
73	Five start handle	2
74	Strengthen pole	1

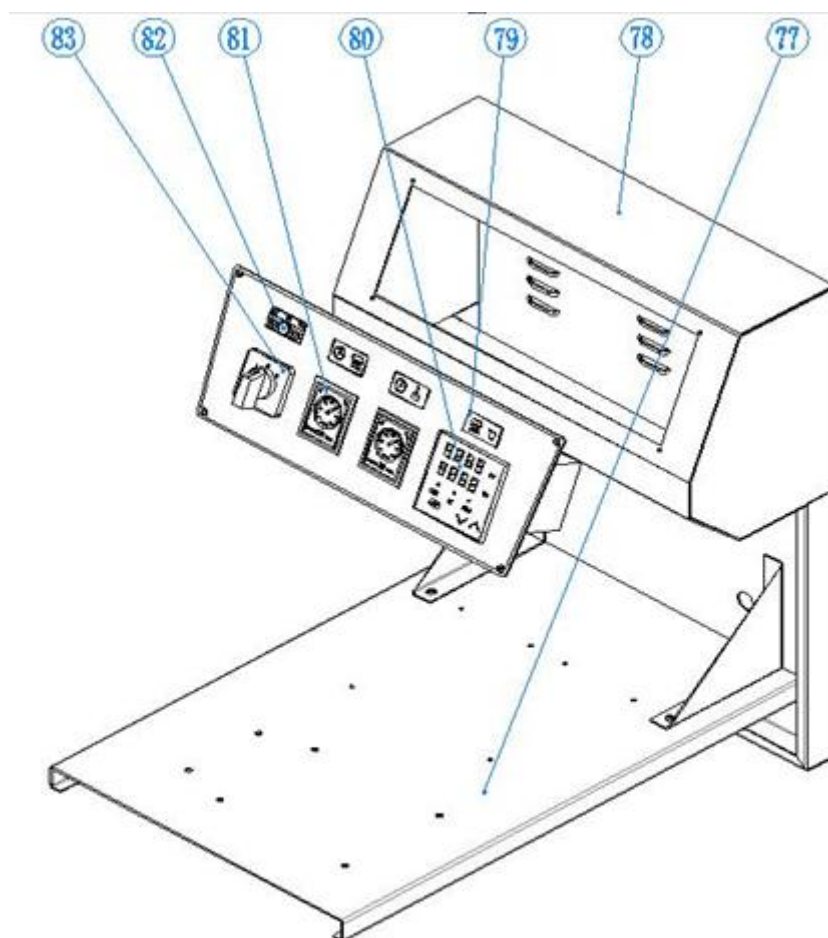


figure 4

АППАРАТ ТЕРМОУСАДОЧНЫЙ HURAKAN HKN-WTP5540

Поз	Наименование детали	Кол
77	Leading roller	1
78	Electric box	1
79	Panel	1
80	Temperature controller	1
81	Timer	2
82	indicator	1
83	Temperature change-over switch	1